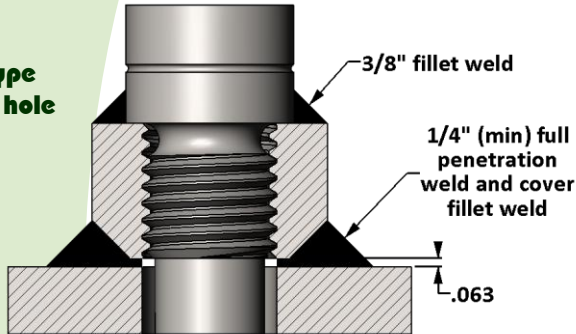


Radiographic Plug and Boss

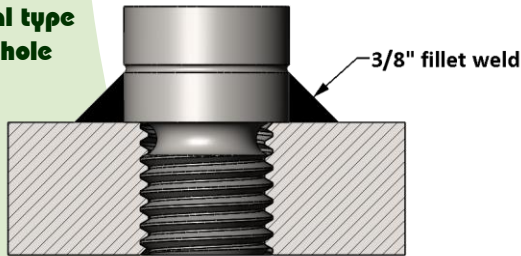
Specification: PFI Standard ES-16

Material: Available in a complete range of Carbon Steels, Stainless Steels, Alloy Steels and Non-ferrous metals certified to ASTM, ASME, and Military standards.

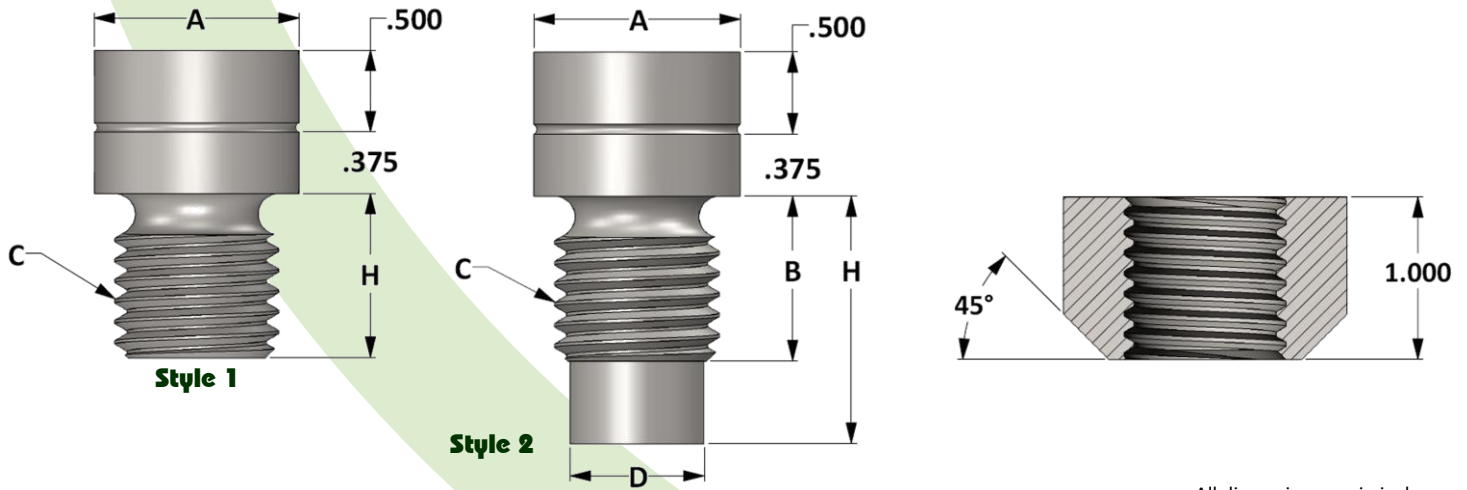
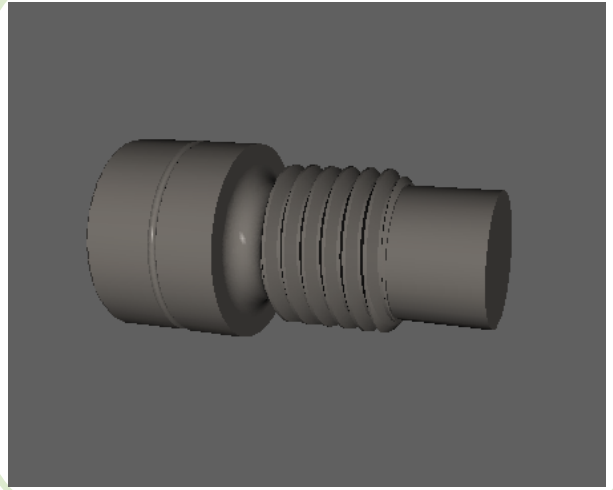
**Boss type
Access hole**



**Integral type
Access hole**



Active
3D
Model



All dimensions are in inches

PIPE WALL THICKNESS	RADIOGRAPHIC PLUG – Figure No. 06186					
	< 5/8" without boss	< 5/8" with boss	5/8" ≥ 1-3/8"	1-3/8" ≥ 3"	3" ≥ 5"	> 5"
STYLE	1	2	1	2	2	2
A	1.250	1.250	1.250	1.250	1.750	2.250
B	---	1.000	---	1.250	1.500	2.000
C	1" – 8 UNC – 3A	1" – 8 UNC – 3A	1" – 8 UNC – 3A	1" – 8 UNC – 3A	1-1/2" – 6 UNC – 3A	2" – 4-1/2" UNC – 3A
D	---	0.812	---	0.812	1.234	1.656
H	0.625	Specified by user				