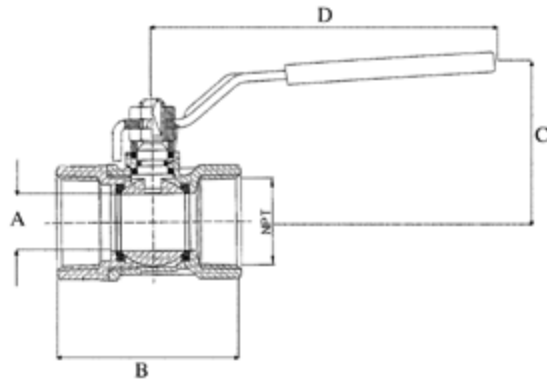


Economy full-port forged ball valve with maximum flow; ideal choice for all plumbing applications. Lever handle is standard on all sizes.

Features

- Sizes from 1/4" to 4"
- Threaded (-100) and solder end (-200) connections
- Pressure rated to 600 psig CWP; 150 psig steam
- Temperatures to 366°F (185°C)
- Blowout-proof stem
- Chrome-plated brass ball
- Secondary O-ring stem seal
- PTFE seats, thrust bearing and stem packing



64 series brass ball valves comply with the latest editions of these published standards:

- * AGA Z21.15CGA9.1
- * AGA No. 3-88
- * ANSI B1.20.1
- * ANSI B16.18
- * CAN/CGA-3.16-M88
- * ASME/ANSI B16.33
- * 2002/95/CE (RoHS) Directive
- * ASME/ANSI B16.38
- * MSS SP-110
- * UL Guide YSDT
- * UL Guide YRPV
- * UL Guide VQGU
- * FM Approved
- * NSF61

Dimensions

Part No.	Size	A in./mm	B in./mm	C in./mm	D in./mm	Cv
64-208-01	2" SWEAT	1.960 49.784	5.430 137.922	3.790 96.266	6.370 161.798	309.000
64-105-01	1" NPT	0.980 24.892	3.070 77.978	2.440 61.976	4.800 121.920	104.000
64-108-01	2" NPT	1.960 49.784	4.330 109.982	3.790 96.266	6.370 161.798	629.000